

Varenummer: 2307081734
 Beskrivelse: E+G Mini mekanisk tæller
 DD50-FR-04.0-S-AR Orange

Mål

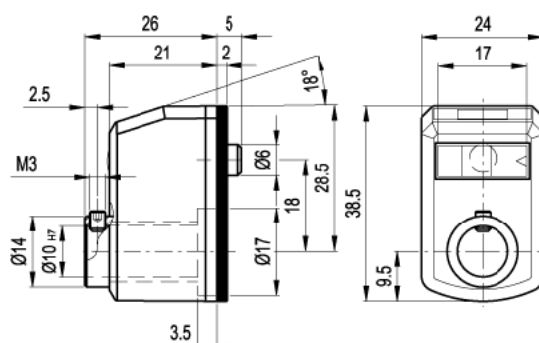


Table of the possible combinations							
Reading position	Pitch	Reading after one revolution			Speed (rpm)*	Direction of rotation	Colour
		0	1	0			
AN internal upper	1.0	01.0	0.10	010	1500	D clockwise	AR orange RAL 2004
AR internal lower	2.0	02.0	0.20	020	1250		S anti-clockwise
FN front upper	4.0	04.0	0.40	040	625	NR corfu RAL 7021	
FR front lower	5.0	05.0	0.50	050	500		
	10	10.0	1.00	100	250		

01.0	Standard reading
0.10	Reading available on request (see 17.1.1.1)

DD50 - FR - 010 - S - GR

* The maximum rotation speed (rpm) of the spindle reported in the table corresponds to a maximum rotation speed of 25,000 units per minute of the test roll on the right side of the counter. Rotational speed tests have been performed in our laboratory under standard operating conditions.

Betegnelse = Se mål på tegning